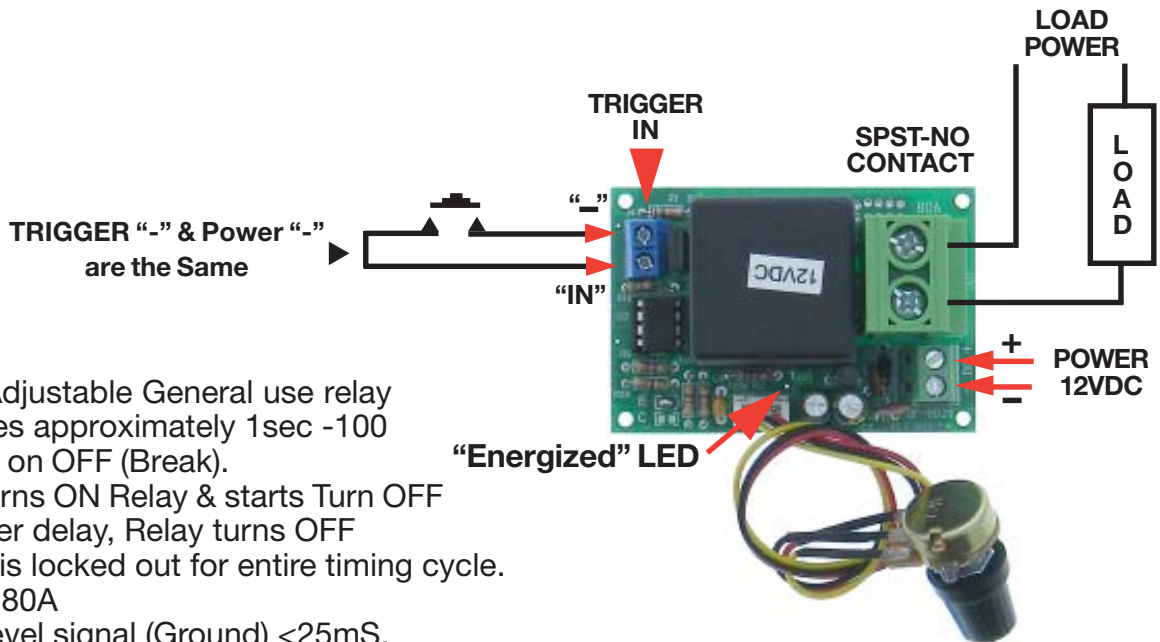


38241-RL

80A Delay on Break Timing Relay ~1 Second to ~100 Seconds



High current, Adjustable General use relay module provides approximately 1sec -100 Seconds Delay on OFF (Break).

Trigger Input turns ON Relay & starts Turn OFF delay Time, after delay, Relay turns OFF

NOTE: Trigger is locked out for entire timing cycle.

P/N: QF-RD29 80A

Trigger: Low level signal (Ground) <25mS.

LED Relay energized indicator.

Power: 12DC @ ~50mA energized

Relay:

Contacts: SPST-NO

Rated: 80A @ 28VDC

Timing Range: <1 to ~100sec.

NOTE: Control is a single Turn!

Precise Adjustment is tricky.)

Relay: SPDT 80A @28VDC

LED lights when contacts close.

Terminal strips In & Out.

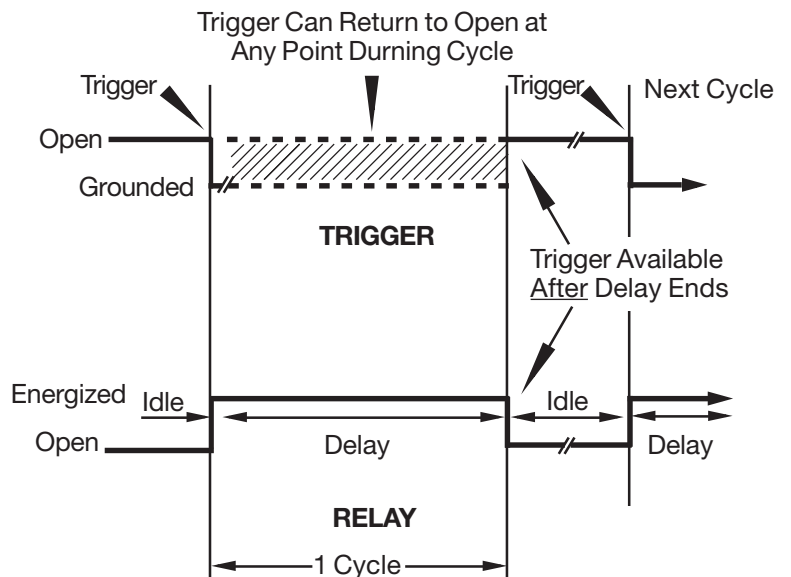
7" Pot leads

Operating Temperature: -25°C ~ 85°C

Humidity: 5% to 95% RH

L: 2-5/8" (67mm) **W:** 1-3/4" (45mm)

H: 1-1/4" (34mm) **WT:** .2



Information including Drawings, Schematics, Links and Code (Software) Supplied or Referenced in this Document is supplied by MPJA inc. as a service to our customers and accuracy or usefulness is not guaranteed nor is it an Endorsement of any particular part, supplier or manufacturer. Use of information and suitability for any application is at users own discretion and user assumes all risk.

Information Subject to Change Without Notice
All rights are retained by the respective Owners/Author(s)



MARLIN P. JONES & ASSOC., INC.

P.O. Box 530400 Lake Park, FL 33403

800-652-6733 FAX 561-844-8764

WWW.MPJA.COM